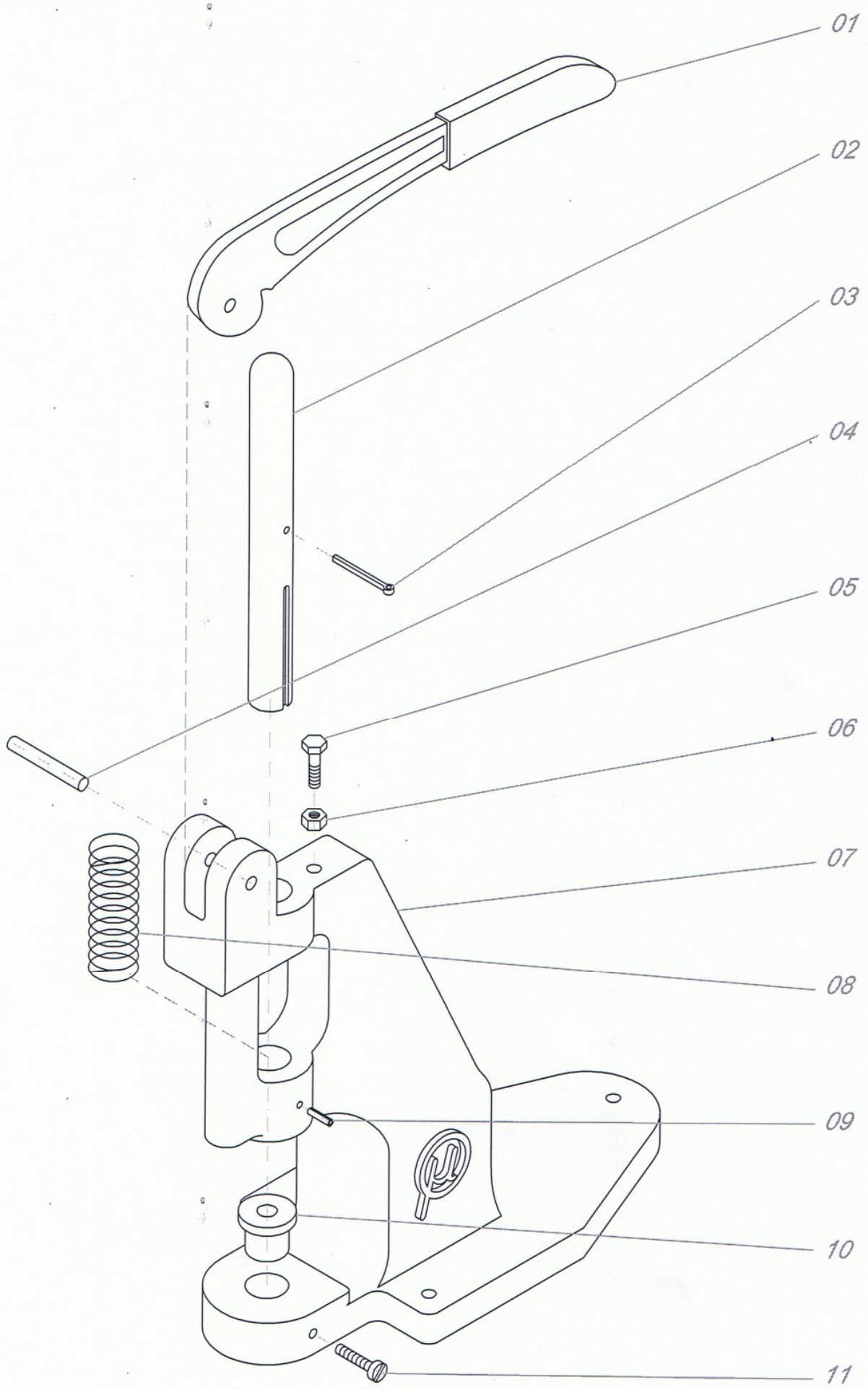




TEP - 1
HAND PRES
OPERATING INSTRUCTIONS



SPARE PARTS

01 - Handle

02 - Shaft

03 - Pin

04 - Pin

05 - Stroke adjusting screw

06 - Nut

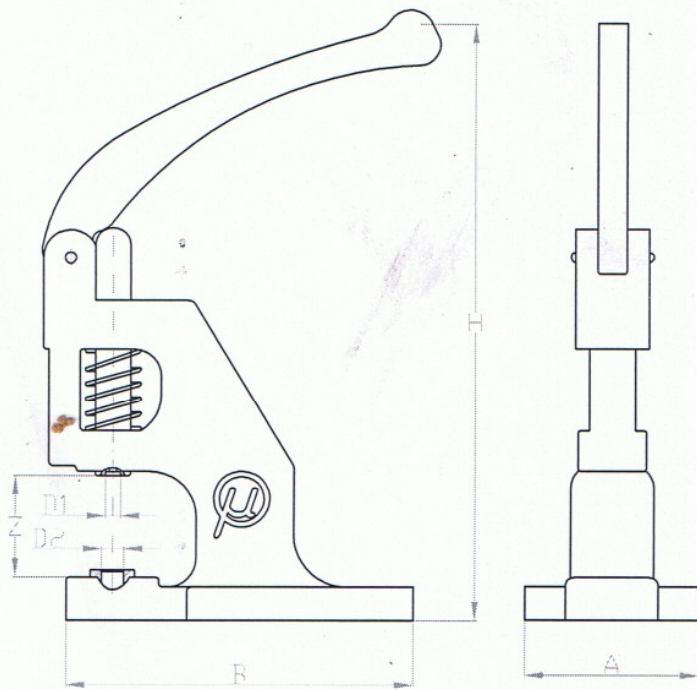
07 - Body

08 - Spring

09 - Pin

10 - Die bush

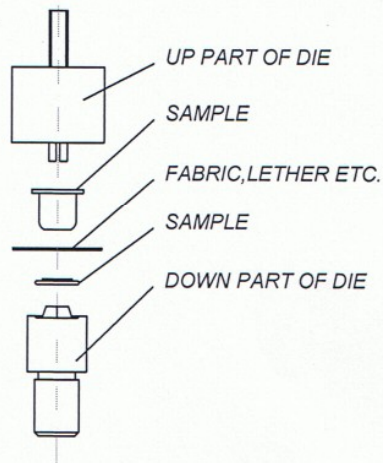
11 - Screw



TECHNICAL SPECIFICATIONS

A	95 mm
B	185 mm
H	345 mm
Z	80 mm
D 1	1/4"
D 2	12 mm
WEIGHT	4,500 gr

BEFORE THE START



OPERATION

- * Fix the eyelet to the up part of die.
- * put the washer to the down up part die.
- * Put the fabric /leather between the eyelet and the washer.